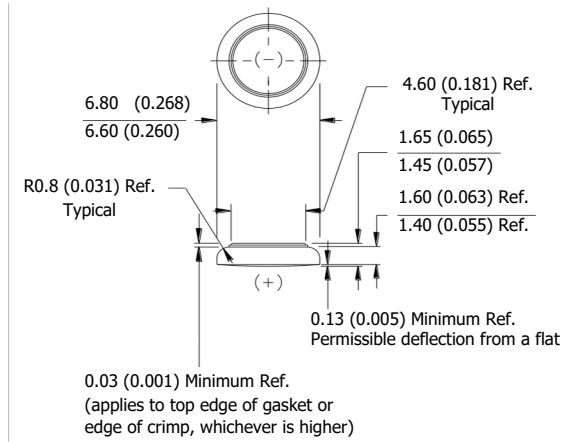


## ENERGIZER 321



### Industry Standard Dimensions

mm (inches)



## ZERO MERCURY

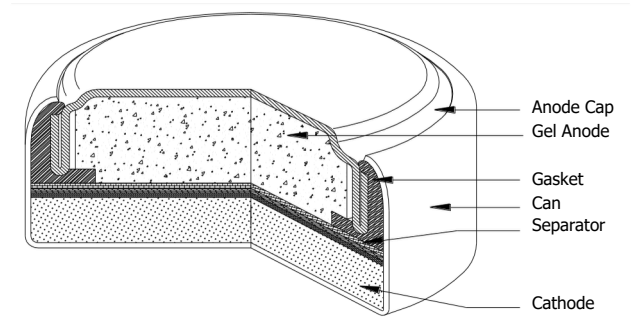
SILVER OXIDE

### Specifications

Chemical System:	Silver Oxide (Zn/Ag <sub>2</sub> O)
Nominal Voltage:	1.55 Volts
Typical Capacity:	15 mAh* (to 1.2 volts)
Capacity Test:	100K ohm continuous drain at 21°C
Typical Weight:	0.28 grams (0.01 oz.)
Typical Volume:	0.07 cubic centimeters (0.004 cubic inch)
Impedance (40 Hz):	30 to 40 ohms

\* Varies according to the applied load, temperature, and cutoff voltage.

### Cross Section

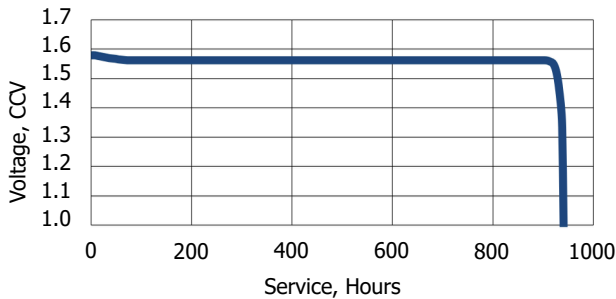


DESIGNED FOR USE ON CONTINUOUS LOW DRAIN

### Typical Discharge Characteristics

Typical Performance at 21°C (70°F)

Schedule: Continuous  
 Typical Drain @1.55V:  
 0.0155 milliamperes  
 Load: 100K ohm

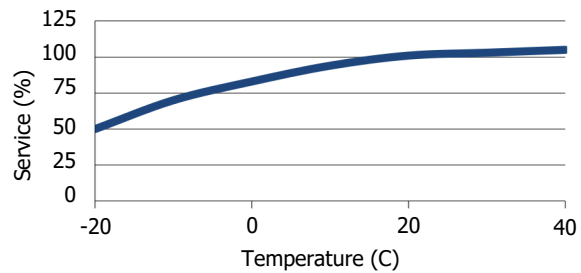


Schedule	Typical Drains at 1.55V (milliamperes)	Load (ohm)	Cutoff 1.2V (hours)
Continuous	0.0155	100K	970

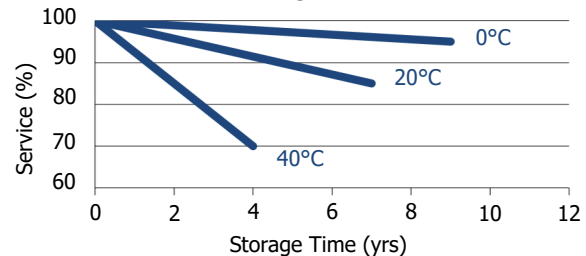
### Temperature Characteristics

Typical Performance at Low Discharge Rates

#### Service Effects



#### Storage Effects



### Important Notice

This datasheet contains typical information specific to products manufactured at the time of its publication.  
 ©Energizer Holdings, Inc. - Contents herein do not constitute a warranty.